

PID Temperature Controller With Digital Indicator



Description

An easy to use reliable PID temperature controller with inputs for J, K, R, S thermocouples or 3-wire Pt100 RTDs.

The large 16mm red LED digits provide a high visibility digital indicator that can be easily wiped clean due to its large 1/4DIN high quality IP65 fascia.

Setting the desired temperature is easy thanks to the simple dial control on the front panel, whilst the programmable control modes and outputs allow accurate and reliable temperature control.

The controller features two outputs; A relay for process or alarm control and an SSR driver for process control.



Specification

Product	PID Temperature Controller
Dimensions	(1/4DIN) 96mm x 96mm x 100mm (d)
Protection	IP65 at front, IP20 at rear
Supply	230 Vac (+%15) 50/60 Hz. 3 VA
Sensor Inputs & Range	Type J (-200°C...900°C) Type K (-200°C...1300°C) Type R/S (0°C...1700°C) PT-100 (-200°C...650°C)
Accuracy	± 0.25% of scale for thermocouple and RTD
Control Types	ON/OFF, P, PI, PD, PID
Relay Output	7A@250 Vac resistive load
SSR Output	Maximum 10mA, max 17Vdc
Part Number	ESD-9950-N

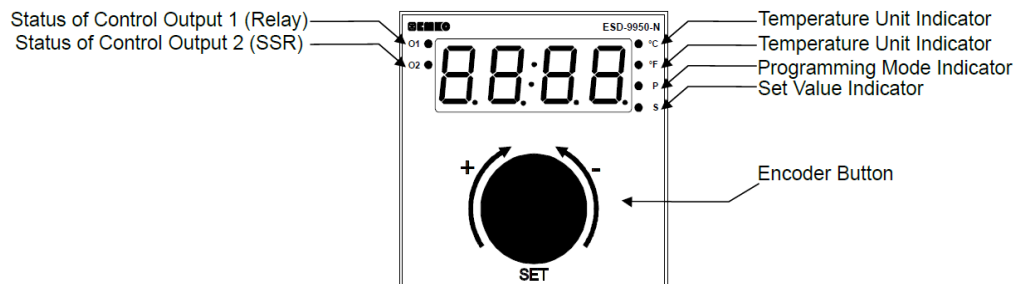
Features

- Thermocouple & RTD sensor inputs
- Easy temperature adjustment
- Auto Tune & Self Tune operation
- Programmable control Modes
- Programmable control & alarm outputs

Application

- Plastic extrusion
- Injection moulding machines
- Thermo-forming machines
- Packaging machines
- Food & Beverage
- Laboratory equipment

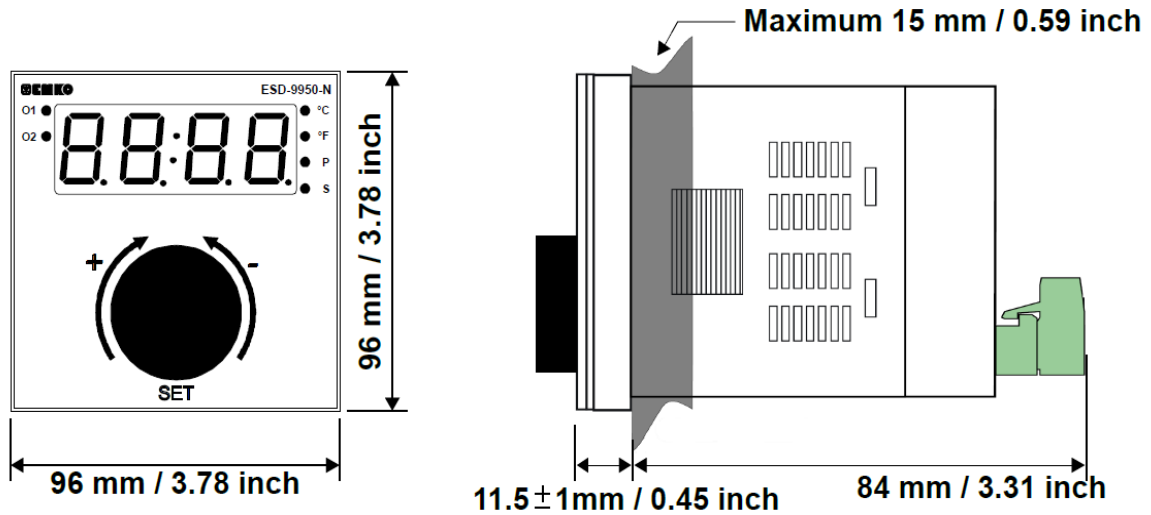
Front Panel



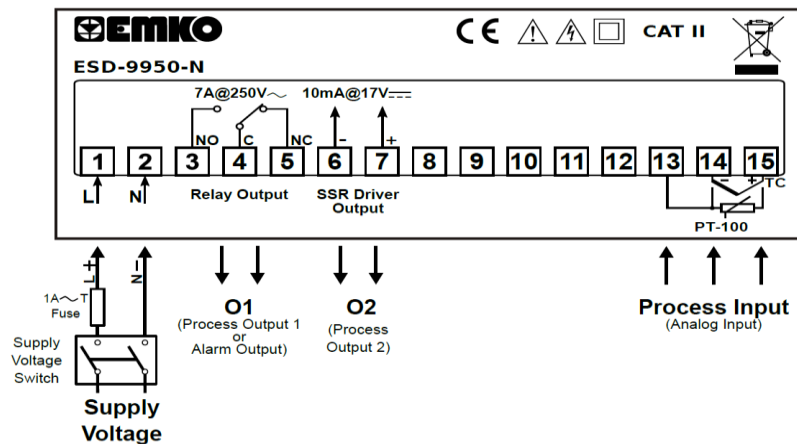
For more information visit:
sterlingsensors.co.uk

Additional Information

Dimensions



Connections



To reduce the effect of electrical noise on device, low voltage line (especially sensor input cables) wiring must be separately from high current and voltage line. If possible, use shielded cable and shield must be connected to ground only one side.