

Miniature RTD Connectors



Description

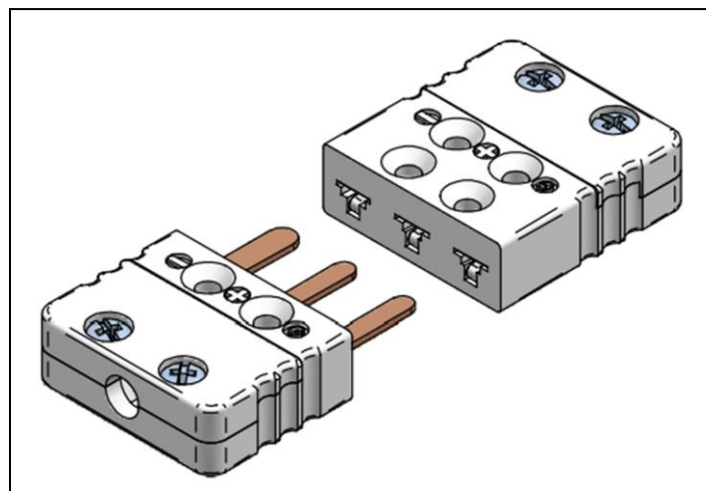
Miniature three pin RTD connectors for the termination of flexible, stranded or solid wires and mineral insulated cable. Suitable for use with 3-wire RTD circuits.

Features

- High quality glass filled thermoplastic, single body design
- Short circuit prevention
- Sandwich construction connects and secures lead wires
- Copper pins
- Polarised pins to reduce connection uncertainties
- Stainless steel screws
- White in colour

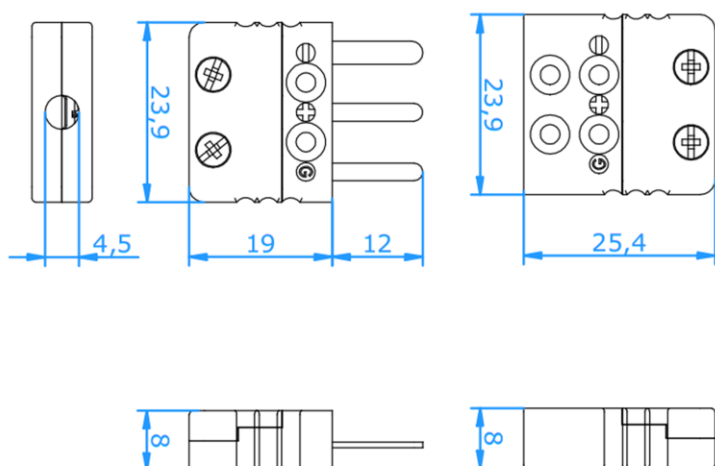
Application

- Accepts wires up to 0.6mm with a maximum cable diameter of 4.5mm
- Temperature rating 200°C Max.
- Available for use with 3-wire RTD circuits



Specification

Product	Miniature RTD Connectors
Circuit	3-wire
Max. Temp	200°C
Wire Ø	Up to 0.6mm
Cable Ø	Up to 4.5mm
Colour	White
Pins	Copper (Cu)



Need it tomorrow?

100s of our products are in stock for next day delivery



For more information visit:

sterlingsensors.co.uk



Sterling Sensors UK Ltd

Fitmec Works ∴ Hawksley Street ∴ Oldham
United Kingdom ∴ OL8 4PQ

T: +44 (0) 161 620 0410 F: +44 (0) 161 627 0507 E: sales@sterlingsensors.co.uk W: sterlingsensors.co.uk