

High Temperature Standard Thermocouple Connectors

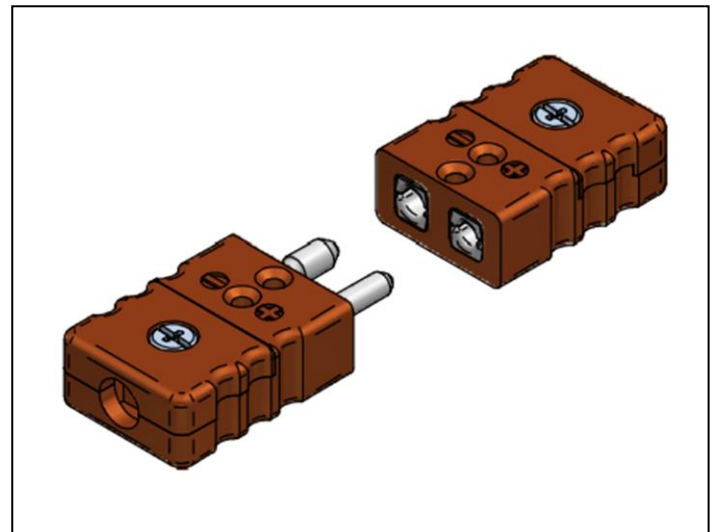


Description

High Temperature standard thermocouple connectors designed for termination of flexible, stranded or solid wires and mineral insulated thermocouple cables.

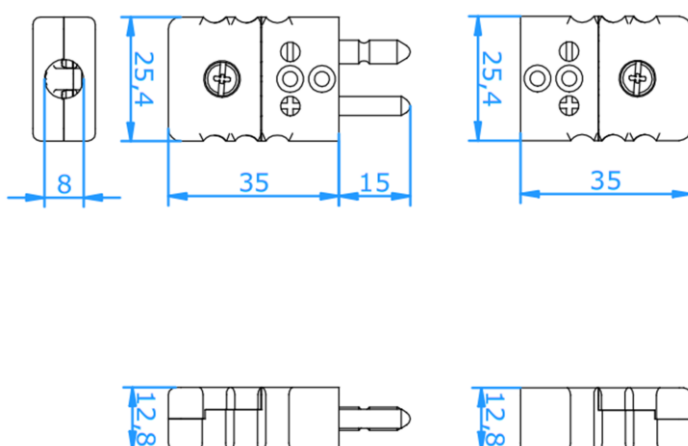
Features

- Thermoset material designed for use at high temperatures
- Available with solid or hollow pins
- Polarised pins to reduce connection uncertainties
- Short circuit prevention
- Sandwich construction connects and secures lead wires
- Brown in colour (calibration specified)



Specification

Product	High Temperature Standard Thermocouple Connectors
Type	Type K, J, T, N or RCB/SCB
Max. Temp	350°C
Wire Ø	Up to 2.0mm
Cable Ø	Up to 8.0mm
Colour	Brown
Pins	Original Thermocouple Material



Help & Advice

Our friendly sales team are here to help, offering expert advice



For more information visit:

sterlingsensors.co.uk



Sterling Sensors UK Ltd

Fitmec Works ∴ Hawksley Street ∴ Oldham
United Kingdom ∴ OL8 4PQ

T: +44 (0) 161 620 0410 F: +44 (0) 161 627 0507 E: sales@sterlingsensors.co.uk W: sterlingsensors.co.uk