

# High Temperature Miniature Thermocouple Connectors



## Description

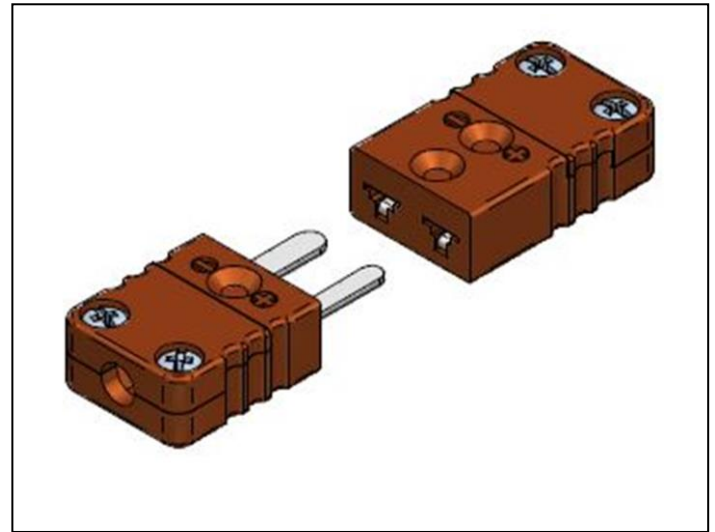
High Temperature miniature thermocouple connectors designed for termination of flexible, stranded or solid wires and mineral insulated thermocouple cables.

## Features

- Thermoset material designed for use at high temperatures
- Polarised pins to reduce connection uncertainties
- Short circuit prevention
- Sandwich construction connects and secures lead wires
- Brown in colour (calibration specified)

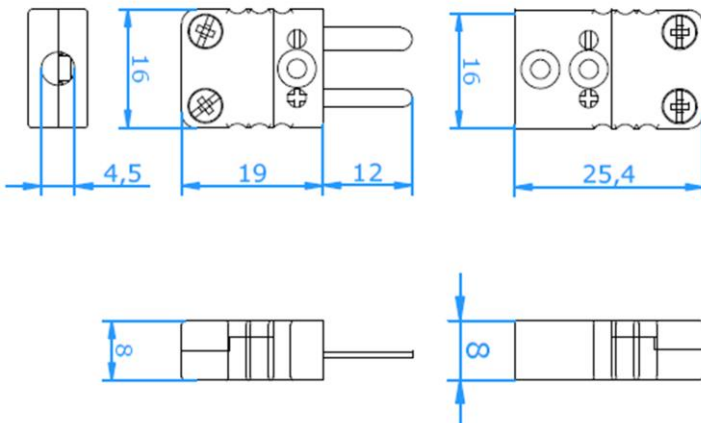
## Application

- Accepts wires up to 0.6mm with a maximum cable diameter of 4.5mm
- Temperature rating 350°C Max.
- Available for use with thermocouple types K, J, T, N or RCB/SCB



## Specification

Product	High Temperature Miniature Thermocouple Connectors
Type	Type K, J, T, N or RCB/SCB
Max. Temp	350°C
Wire Ø	Up to 0.6mm
Cable Ø	Up to 4.5mm
Colour	Brown
Pins	Original Thermocouple Material



**Need it tomorrow?**

100s of our products are in stock for next day delivery

For more information visit:

[sterlingsensors.co.uk](http://sterlingsensors.co.uk)



**Sterling Sensors UK Ltd**

Fitmec Works ∴ Hawksley Street ∴ Oldham  
United Kingdom ∴ OL8 4PQ

T: +44 (0) 161 620 0410 F: +44 (0) 161 627 0507 E: [sales@sterlingsensors.co.uk](mailto:sales@sterlingsensors.co.uk) W: [sterlingsensors.co.uk](http://sterlingsensors.co.uk)