

Miniature Duplex Thermocouple Connectors



Description

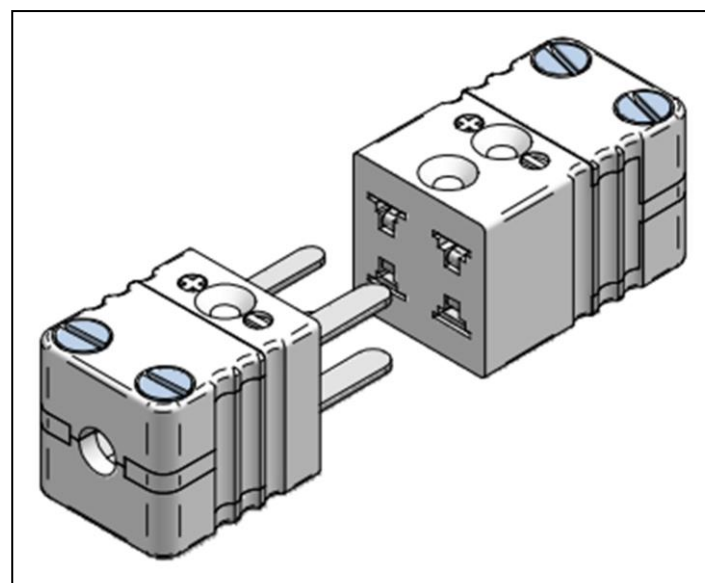
Miniature duplex thermocouple connectors for the termination of flexible, stranded or solid wires and mineral insulated thermocouple cables.

Features

- Glass filled thermoplastic construction
- Original thermocouple material pins with spring-loaded inserts
- Sandwich construction connects and secures lead wires
- Polarised pins to reduce connection uncertainties
- Short circuit prevention

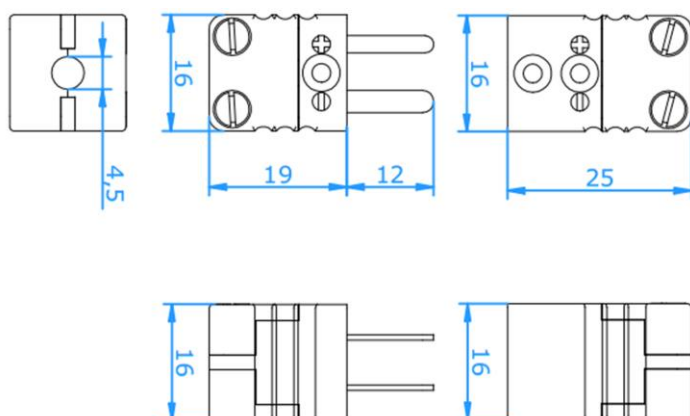
Application

- Accepts wires up to 0.6mm with a maximum cable diameter of 4.5mm
- Temperature rating 200°C Max.
- Available for use with thermocouple type K



Specification

Product	Miniature Duplex Thermocouple Connectors
Type	Type K
Max. Temp	200°C
Wire Ø	Up to 0.6mm
Cable Ø	Up to 4.5mm
Pins	Original Thermocouple Material



Help & Advice

Our friendly sales team are here to help, offering expert advice



For more information visit:

sterlingsensors.co.uk



Sterling Sensors UK Ltd

Fitmec Works ∴ Hawksley Street ∴ Oldham
United Kingdom ∴ OL8 4PQ

T: +44 (0) 161 620 0410 F: +44 (0) 161 627 0507 E: sales@sterlingsensors.co.uk W: sterlingsensors.co.uk