

Standard Ceramic Thermocouple Connectors



Description

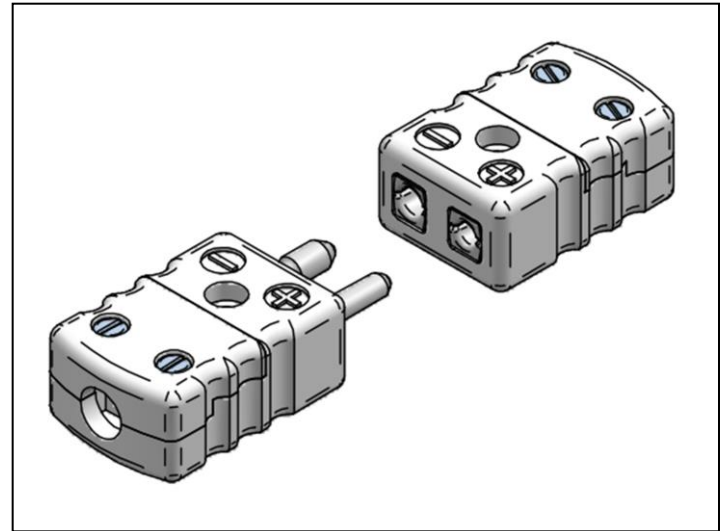
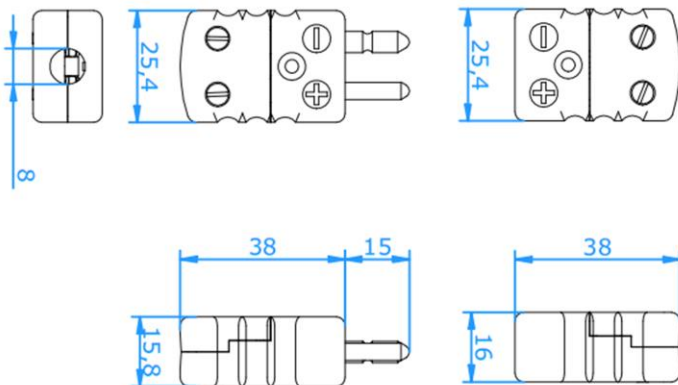
Standard ceramic thermocouple connectors designed to withstand high temperatures, for termination of flexible, stranded or solid wires and mineral insulated thermocouple cables.

Features

- Ceramic body designed for use at high temperatures
- Available with solid or hollow pins
- High purity Alumina material
- Polarised pins to reduce connection uncertainties
- Short circuit prevention
- All white in colour (calibration specified)

Application

- Accepts wires up to 2.0mm with a maximum cable diameter of 8.0mm
- Temperature rating 650°C Max.
- Available for use with thermocouple types K, T, J, N, R/S, E or U



Specification

Product	Ceramic Thermocouple Connectors (Standard)
Type	Type K, T, J, N, R/S, E or U
Max. Temp	650°C
Wire Ø	Up to 2.0mm
Cable Ø	Up to 8.0mm
Colour	White
Pins	Original Thermocouple Material Available with solid or hollow pins

Need it tomorrow?

100s of our products are in stock for next day delivery



For more information visit:

sterlingsensors.co.uk



Sterling Sensors UK Ltd

Fitmec Works ∴ Hawksley Street ∴ Oldham
United Kingdom ∴ OL8 4PQ

T: +44 (0) 161 620 0410 F: +44 (0) 161 627 0507 E: sales@sterlingsensors.co.uk W: sterlingsensors.co.uk