

Miniature Ceramic Thermocouple Connectors



Description

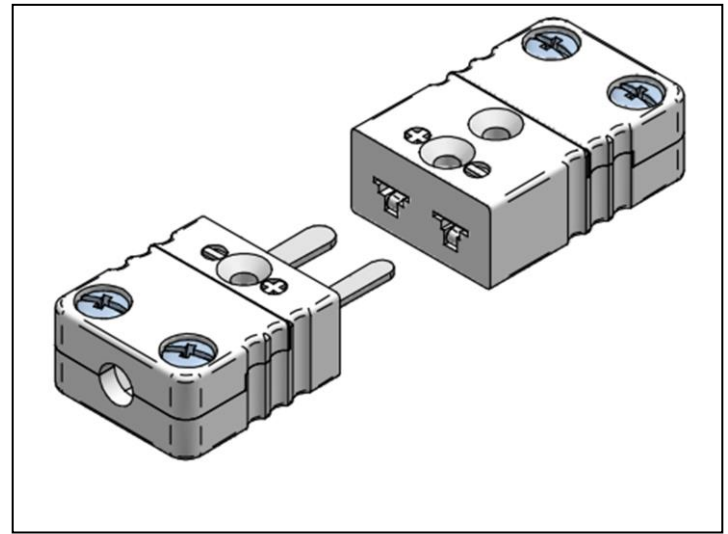
Miniature ceramic thermocouple connectors designed to withstand high temperatures, for termination of flexible, stranded or solid wires and mineral insulated thermocouple cable.

Features

- Ceramic body designed for use at high temperatures
- High purity Alumina material
- Polarised pins to reduce connection uncertainties
- Short circuit prevention
- All white in colour (calibration specified)

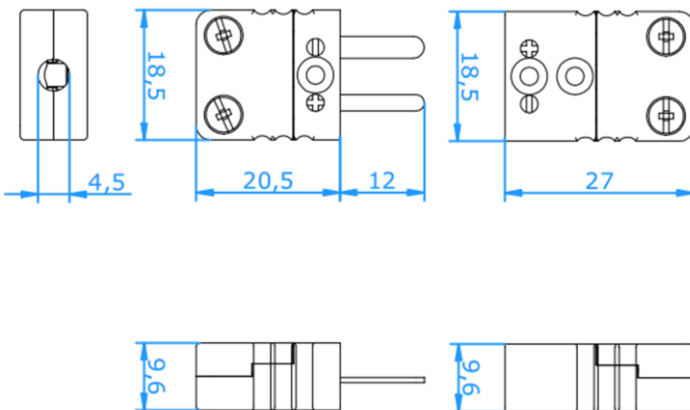
Application

- Accepts wires up to 0.6mm with a maximum cable diameter of 4.5mm
- Temperature rating 650°C Max.
- Available for use with thermocouple types K, T, J, N, R/S, E or U



Specification

Product	Ceramic Thermocouple Connectors (Miniature)
Type	Type K, T, J, N, R/S, E or U
Max. Temp	650°C
Wire Ø	Up to 0.6mm
Cable Ø	Up to 4.5mm
Colour	White
Pins	Original Thermocouple Material Available with solid or hollow pins



We calibrate sensors up to 1100°C

Visit our calibration page to find out more



For more information visit:

sterlingsensors.co.uk